

TECHNICAL DATASHEET



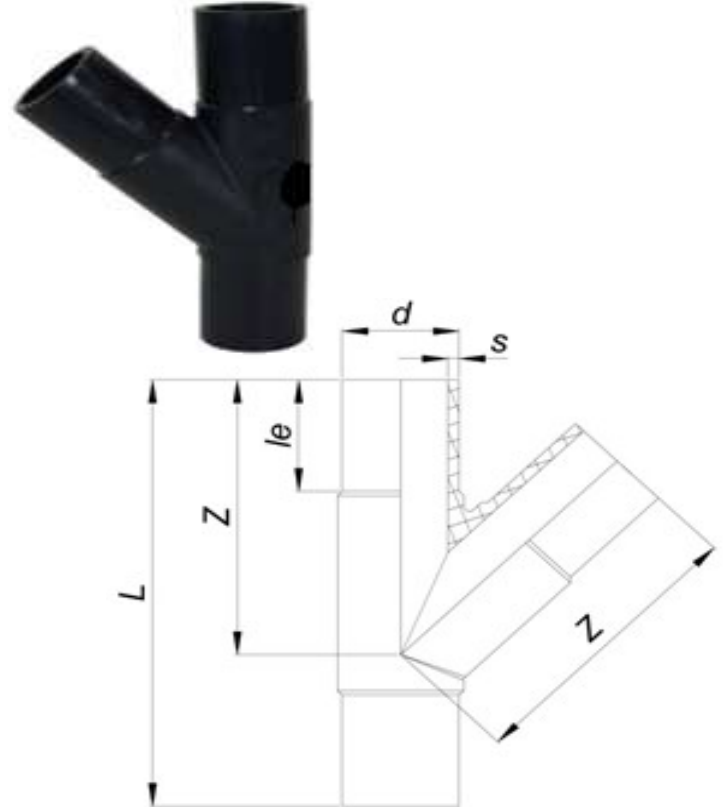
WYE TEE 45°

03 Update - 05/2024

TECHNICAL DATA

Article No	001 117 0045 0250
d (mm)	250
L (mm)	729
le (mm)	135
Z (mm)	507
s (mm)	22,7
Weight (Kg)	19,680
Box Quantity (pcs)	8
Box Dimension (pcs)	80x120x100

INJECTION MOULDED



IDENTIFICATION OF PRODUCT

D(mm)	250
SDR	11
RAW METARIAL	PE 100
PRESSURE CLASS	16 Bar Water 10 Bar Gas
TRADEMARK	NTG
EXECUTION	Injection Moulded
STANDARD	EN 12201-3 EN 1555-3 AS /NZS 4129

SPECIFICATION

Long Spigot

Tolerance on diameters and thickness according to the standards. The other dimensions are specialized. Tolerance $\pm 5\%$. NTG PLASTIK reserves all the right to change any information without giving prior notice. The production, distribution and utilization of this document without explicit authorization is prohibited.

Fr 161 Rev 00